

UHF Transmit Combiner with Integrated Antenna Power Monitor

Available in the UHF 380-512 MHz bands.

The combiner features a compact 7RU form which includes the integrated, frequency selective antenna power monitor (DPM) in the base 4 channel configuration.

The combiner is designed to work together with a Tx-filter (DS18825) and the power monitor functionality is split between the combiner holding the electronics and the Tx-filter holding the directional coupler at the antenna port.

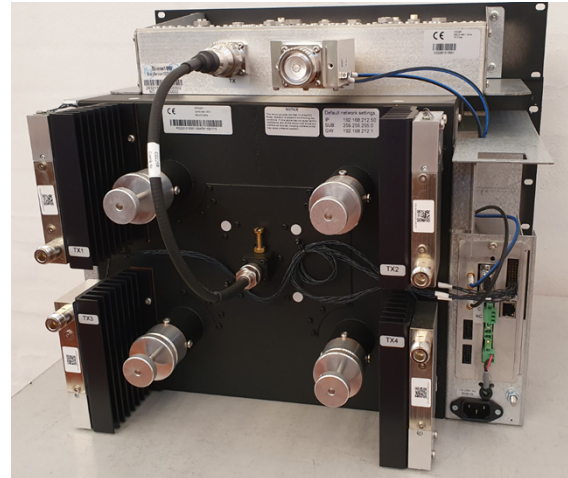
The power monitor is Ethernet / SNMP / SYSLOG enabled providing information such as: forward power, reflected power, antenna VSWR, heat sink temperature.

The DPM enables easy factory or field tuning using only the base station radio and a PC.

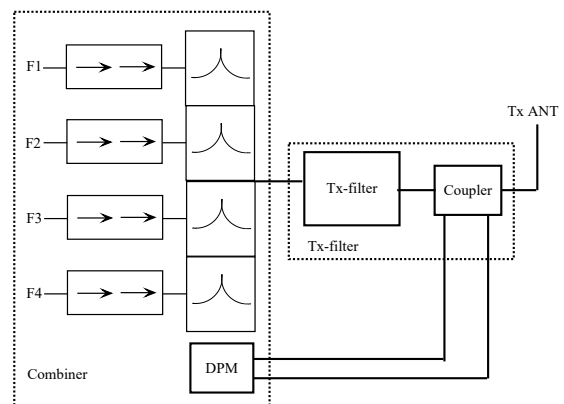
SNMP alarm and SYSLOG will be generated upon high antenna VSWR and high temperature. All alarms are user configured through Ethernet or SNMP.

All modules are broad band (20 MHz) and symmetrical.

The base configuration is 4 channels with DPM and it can be expanded by 2 channels.



4 ch. Combiner, Tx-filter & Digital Power Monitor



**Schematic
4 ch. Combiner, Tx-filter & Digital Power Monitor**

Combilent

Ryttermarken 5, 3520 Farum, Denmark
sales@combilent.com www.combilent.com

TX RX Systems

8625 Industrial Parkway, Angola, NY 1400, USA
sales@txrx.com www.txrx.com



DS18818. December 11, 2019

Specification, System

410-430 MHz
 410-430 MHz
 450-470 MHz
 450-470 MHz

Other bands on request
 20 MHz tuning range

Part Numbers

CP02258
 CP02259
 CP02221
 CP02222

Description

4 ch combiner with DPM 420 MHz
 2 ch expansion 420 MHz
 4 ch combiner with DPM 460 MHz
 2 ch expansion 460 MHz

Specification

Combiner

Minimum spacing	150 kHz
Input power	100 W / ch
Insertion loss, 4 ch	3.4 dB typ
Insertion loss, 8 ch	4.0 dB typ.
Tx-Tx isolation	>60 dB
Input return loss	>20 dB
Output return loss	>10 dB
Operating temp.	-30°C to 60°C
Connectors, inputs	N-female
Connector, output	N-female (combiner) 7-16 or 4.3-10 (Tx-filter)
Dimensions, 4 ch	19", 7U, 14" deep
Dimensions, 2 ch	19", 4U, 14" deep
Weight, 4 ch	40 lbs
Weight, 2 ch	20 lbs
Drawing, 4 ch	OD14461
Drawing, 2 ch	OD13605

Specification

Power Monitor (DPM)

Power supply	110V/230V AC
Interfaces	Integrated web-server SNMP v2C SYSLOG
Inputs	Temperature sensors
Functions and alarms	Cavity tuning Forward power (per cavity) Reflected power (per cavity) Antenna VSWR (per cavity)
Features	Heat sink temperature SNTP Firmware update Factory test data
Alarm output	Dry contact alarm

Combilent

Ryttermarken 5, 3520 Farum, Denmark
sales@combilent.com www.combilent.com

TX RX Systems

8625 Industrial Parkway, Angola, NY 1400, USA
sales@txrx.com www.txrx.com